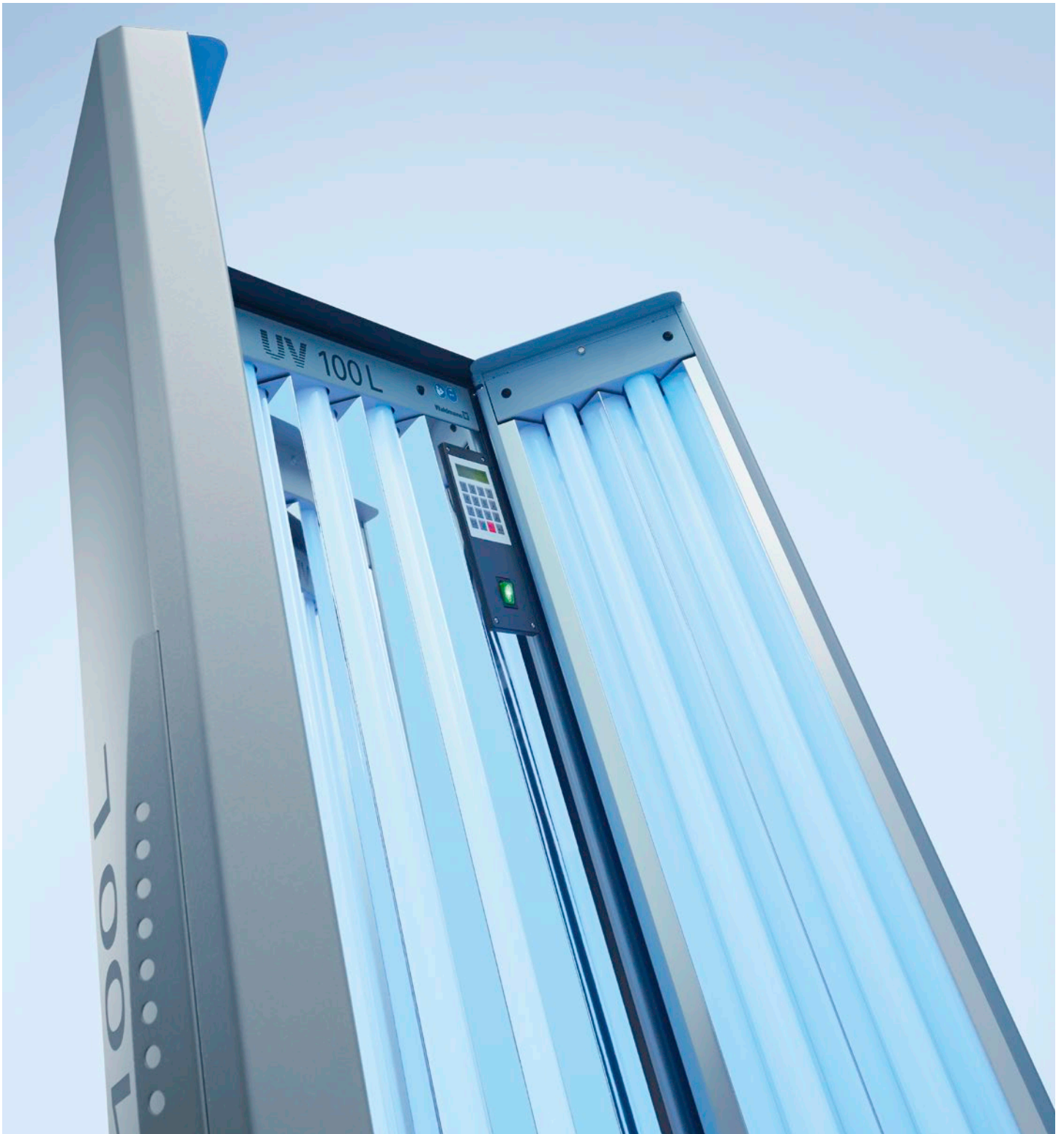

UV THERAPY SYSTEM

UV 100 L





The Waldmann UV 100 L device series was developed for use in the semi-professional field and for medical care applications in a domestic environment. The strict safety standards in place mean that the attending specialist can allow responsible-minded patients to perform the phototherapy in their home setting. Regular visits to the doctor are however also essential with home therapy in order to ensure optimal medical care.

Owing to the compact dimensions of the device, only a small amount of space is required in both scenarios. In addition to flexible handling thanks to smooth-running castors, wall mounting is also possible.

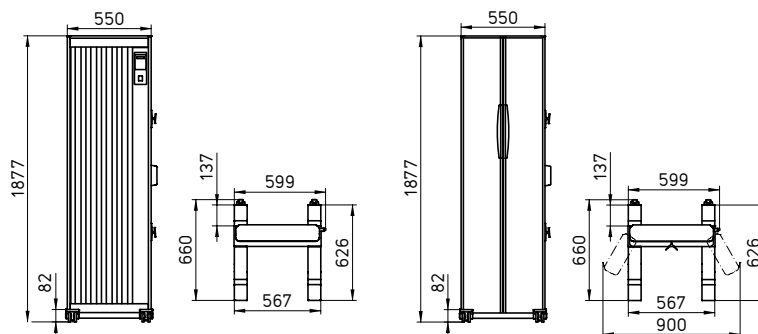
The fully equipped version with fold-out side parts allows homogeneous irradiation from head to toe, including the sides of the body, with just a single body rotation.





Standard version

Fully equipped version



UV 100 L compact

Safety

- Dialog-controlled operation with confirmation prompts
- Programmable dosage limits
- Function for repeat irradiation without renewed dosage entry
- Code activation to prevent unauthorized use

Efficiency

- High-gloss internal reflectors, geometrically designed for improved performance
- Fully equipped: Fold-out sides for homogeneous irradiation of the sides of the body at the same time
- Standard version: Side parts can be retrofitted at any time – without the need for tools
- Low power consumption

Comfort

- Integrated wall mounting option
- Fully equipped: Ergonomic front handles
- Large smooth-running castors with brakes for mobile use
- Compact dimensions

UV 100 L technical details (standard version)

Dimensions (WxDxH)	599 x 660 x 1877 mm
Mobility	in all directions via 4 castors
Weight (excluding packaging)	approx. 34 kg
Color combination	similar to RAL 9006 (white aluminum) similar to RAL 7016 (anthracite gray)
Mains connection /Frequency	230 V/50 Hz 220 V/60 Hz
Max. power consumption	0.95 kW/cos φ 0.98 0.90 kW/cos φ 0.98
Connection cable	Approx. 5 m with shaped plug
MDD classification	Class II a

UV 100 L technical details (fully equipped version)

Dimensions (WxDxH)	
Closed	599 x 660 x 1877 mm
Open	900 x 660 x 1877 mm
Mobility	in all directions via 4 castors
Weight (excluding packaging)	approx. 62 kg
Color combination	similar to RAL 9006 (white aluminum) similar to RAL 7016 (anthracite gray)
Mains connection /Frequency	230 V/50 Hz 220 V/60 Hz
Max. power consumption	0.95 kW/cos φ 0.98 0.90 kW/cos φ 0.98
Connection cable	approx. 5 m with shaped plug
MDD classification	Class II a



0297

Note: You can find information on the UV lamps on the Internet at www.waldmann-medical.com

CONFIGURATION VARIANTS

Mono devices (standard version):	UV lamps (UVA) 4 x PUVA 100 W	
	UV lamps (UVA) 4 x UVA-1 100 W	
	UV lamps (UVB) 4 x TL 01 100 W	(narrow-band UVB)
	UV lamps (UVB) 4 x UV 6 100 W	(broad-band UVB)
Mono devices (fully equipped version):	UV lamps (UVA) 8 x PUVA 100 W	
	UV lamps (UVA) 8 x UVA-1 100 W	
	UV lamps (UVB) 8 x TL 01 100 W	(narrow-band UVB)
	UV lamps (UVB) 8 x UV 6 100 W	(broad-band UVB)

HEADQUARTERS GERMANY

Herbert Waldmann GmbH & Co. KG
Postfach 50 62
78057 VILLINGEN-SCHWENNINGEN
GERMANY
Telephone +49 7720 601-200
Fax +49 7720 601-290
www.waldmann-medical.com
info-puva@waldmann.com

FRANCE

Waldmann Eclairage S.A.S.
Zone Industrielle
Rue de l'Embranchement
67116 REICHSSTETT
FRANCE
Telephone +33 3 88 20 95 88
Fax +33 3 88 20 95 68
www.waldmann.com
info-fr@waldmann.com

SWITZERLAND

Waldmann Lichttechnik GmbH
Benkenstrasse 57
5024 KÜTTIGEN
SWITZERLAND
Telephone +41 62 839 1212
Fax +41 62 839 1299
www.waldmann.com
info-ch@waldmann.com

THE NETHERLANDS

Waldmann BV
Lingewei 19
4004 LK TIEL
THE NETHERLANDS
Telephone +31 344 631019
Fax +31 344 627856
www.waldmann.com
info-nl@waldmann.com